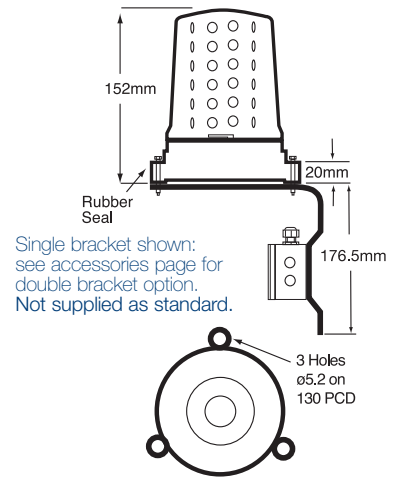


Visual Signals OBSTACLE MARKING

BEACONS



Obstacle Marking : Low Intensity Lights > Product overview

The LED501/500 Series conforms to the requirements of the ICAO for aviation obstruction marking. Each beacon contains six diode strips each with eight, horizontally aligned LED's

thus exceeding the minimum requirements of the ICAO of 10 cd explicit without dazzling. With robust, corrosion-free construction and rubber housing for vibration protection, the LED501/500 series is ideal for most low intensity applications.

Features

Conforms to ICAO Annexe 14 Volume 1 for steady, red, low intensity Type C beacons

Static red (non-flashing) signal

LED long life

Corrosion free

Optional single or double mounting bracket – see accessory page

IP65

Material

Elastic TPF (Solid Rubber)
Polycarbonate Lens



Code No:	Voltage:	Light Source:	Current:	Effective CD:
LED501-02-10-02	24v Dc ---	LED 10w/50-60J	800 mA	10cd
LED500-04-10-02	230v Ac ~	LED 10w/50-60J	70 mA	10cd
50004	Right angled bracket for single beacon			
50159	Right angled bracket for single beacon complete with cable box			
50160	Double bracket with twin mount complete with cable box			

Kg 0.45

°C -20+50

IP 65

